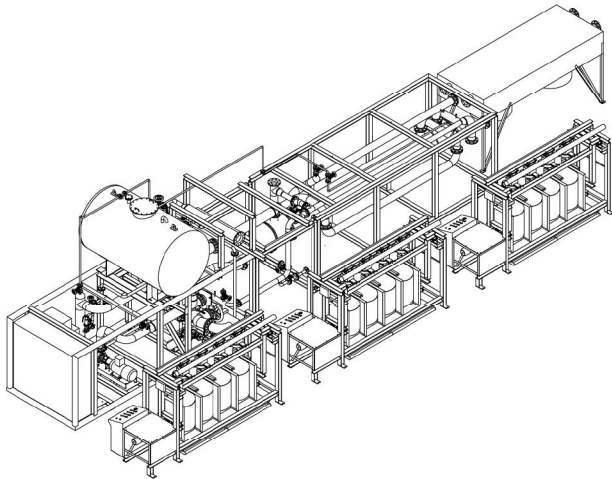


DATA SHEET

FILLING MACHINE



B

FILLING MACHINE

polyFILL®	300	300 A	300 B	300 AB
General values				
Max. Filling capacity	7 mtph	9 mtph	7 mtph	9 mtph
Filling sets ¹	2	3	2	3
Personnel / shift	4	5	4	5
Connecting values				
Max. Bitumen inlet temperature ²	150°C/302°F	150°C/302°F	180°C/356°F	180°C/356°F
Electric power filling process	25 kW	30kW	25kW	30kW

FILLING MACHINE UPGRADE

polyFILL®	300 _{plus}	300 _{plus} A	300 _{plus} B	300 _{plus} AB
General values				
Max. Filling capacity	12 mtph	15 mtph	12 mtph	15 mtph
Filling sets ¹	4	5	4	5
Personnel / shift	6	7	6	7
Connecting values				
Max. Bitumen inlet temperature ²	150°C/302°F	150°C/302°F	180°C/356°F	180°C/356°F
Electric power filling process	35 kW	40 kW	35 kW	40 kW

¹ mandatory for filling PMB

² min. inlet temperature 110°C/230°F

For all bitumen grades in the range of PEN 35-150.