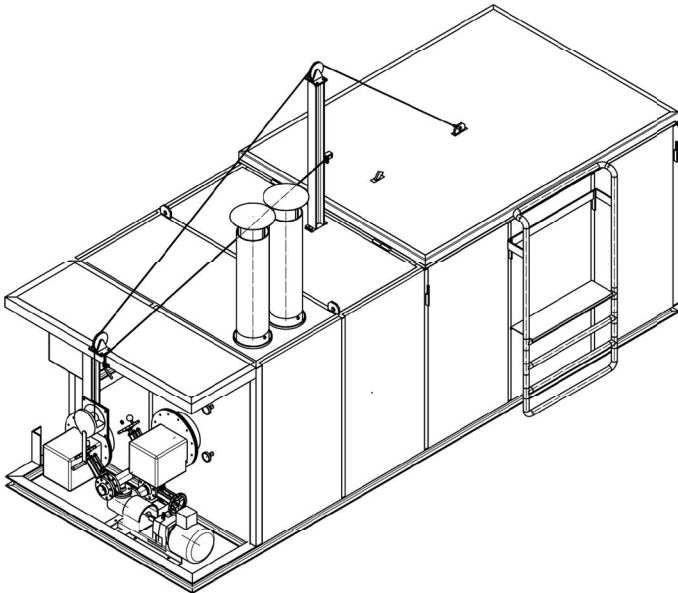


DATA SHEET

MELTER



MELTER

STANDARD EQUIPMENT ¹

Specification

Melting rate:
Max. temperature:

2 MTPH (guaranteed for POLYCUBES[®] only)
180°C (for bitumen)

Volume:
Energy source:

14 metric tons in total
2 x 110 kW diesel burner ²

Pump:
Connection:

5 / 10 / 15 MTPH ³
on request

OPTIONAL EQUIPMENT ³

Winter Lid
Gantry Crane

ACCESSORY EQUIPMENT

Spare parts
Bitumen hoses

¹ For POLYCUBE[®] melting at ambient temperature above 15°C.

² Thermal oil version on request.

³ For BigBags only.